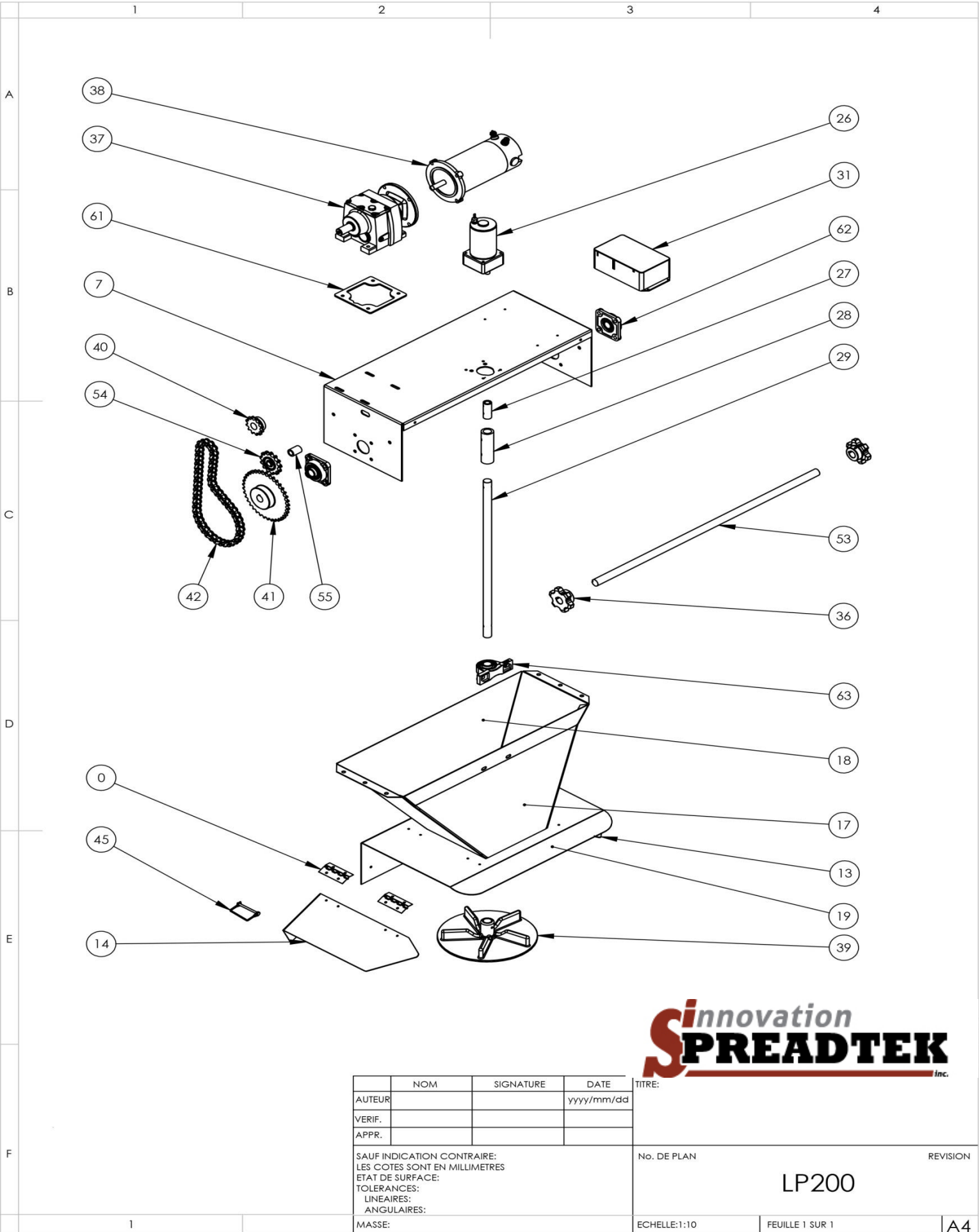


	NOM	SIGNATURE	DATE
AUTEUR			yyyy/mm/dd
VERIF.			
APPR.			

SAUF INDICATION CONTRAIRE:  
 LES COTES SONT EN MILLIMETRES  
 ETAT DE SURFACE:  
 TOLERANCES:  
 LINEAIRES:  
 ANGULAIRES:  
 MASSE:

TITRE:	No. DE PLAN	REVISION
	LP200	
ECHELLE:1:10	FEUILLE 1 SUR 1	A4



**S**innovation  
**SPREADTEK** inc.

	NOM	SIGNATURE	DATE
AUTEUR			yyyy/mm/dd
VERIF.			
APPR.			

SAUF INDICATION CONTRAIRE:  
LES COTES SONT EN MILLIMETRES  
ETAT DE SURFACE:  
TOLERANCES:  
LINEAIRES:  
ANGULAIRES:  
MASSE:

TITRE:	No. DE PLAN	REVISION
	LP200	
ECHELLE:1:10	FEUILLE 1 SUR 1	A4

ITEM	DESCRIPTION	PART
1	Upper right side	LP-200-10D
2	Upper left side	LP-200-10G
3	Back panel with door opening	LP01
4	Right conveyor panel	LP-200-02D
5	Left conveyor panel	LP-200-02G
6	Conveyor floor	LP200-03
7	Motor support	LP05
8	Front panel	LP07
9	Conveyor bracket	LP015
10	Flow Gate	LP-D14
11	Right door handle support	PS003
12	Right door handle support	PS004
13	Right deflector	LP043-D
14	Left deflector	LP043-G
15	Leg	LP006
16	Leg	LP007
17	Chute bottom deflector	LP016A
18	Chute front panel	LP016B
19	Chute back panel	LP016C
20	Lid	LP024A
21	Lid cover	LP024B
22	LP 7' & 8' Inverted V Support	LP025-7-8
23	LP 8' Inverted V	LP025-8
24	Eye bolt	LP040A
25	Bracket	S040B
26	Spinner motor	PS052
26	Spinner motor	PS053
27	Coupling	TG018
28	Rubber coupling	PS051
29	Dual shaft spinner	LP011
30	LP200 Tarp	TarpLP200
31	2 motors wire speed controler	VSCD-3W
32	Ratchet Buckle	RB2-5
33	Top screen	S010-LP200
34	GTake up holder	PS020
35	Take up bearing	PS021
36	6 Conveyor sprocket	PS023
37	Gear box	TTR09
38	Electric motor 3/4 Hp	PS006
39	Rubber spinner disc	PS012-RB
40	Sprocket ten tooth	LP041
41	Driven sprocket for conveyor	LP038
42	Motor conveyor chain	LP032
43	Conveyor chain (127P)	LP034-8
44	Tensioner Bolt	PS031
45	Lock pin for deflector	PS050
46	Door sprocket	PS037
47	Collar door handle (sold in pair)	PS017
48	Tensioner shaft 1 x 36' 1/4	LP022
49	Eye bolt	PS042
50	O'Ring	PS019
51	Door handle 38' 11/16	LP018
52	Lid support	S042
53	Transmission shaft 1 x 37 1/2"	LP009
54	Tension sprocket	LP039
55	Spacer ring	LP039A
56	Front guard	LP58
57	Chain guard	LP59
58	Wiper (sold ass'y with LP035W)	LP035W
59	Wiper (sold ass'y with LP035W)	LP035B
60	Plate 2" x 4" stainless	PS047
61	Motor spacer	TTR023
62	Flange bearing	P027
63	Pillow block bearing	PS030
64	Slider UHMW	PS010
65	Inside reinforcement	LP028
	Reinforcement	PS020B
	Chute bearing protector	PS100